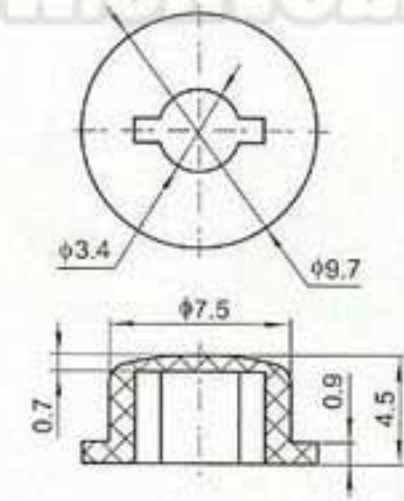
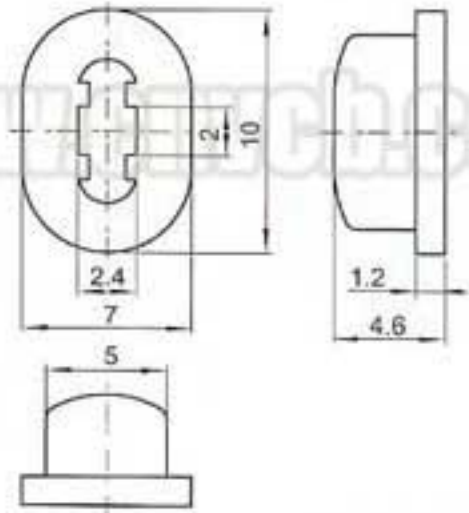
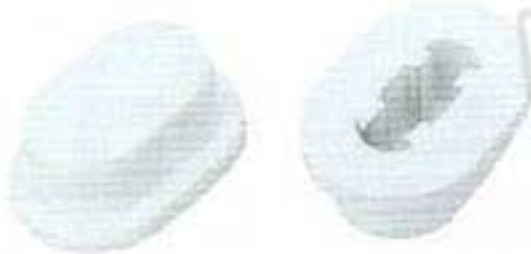


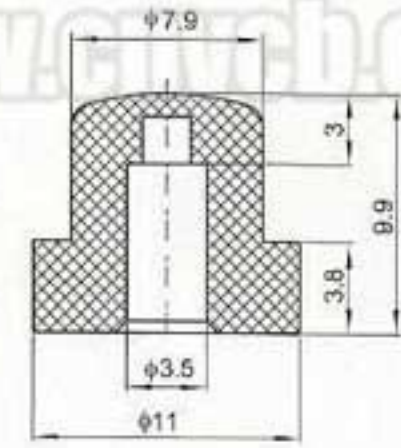
KM-001



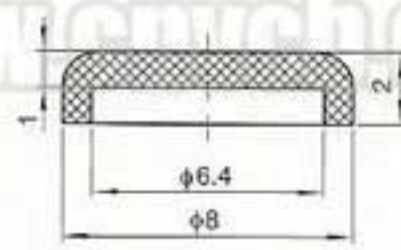
KM-007



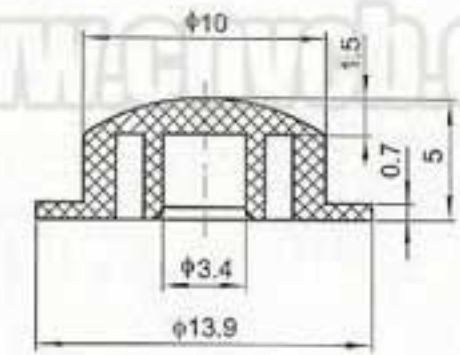
KM-002



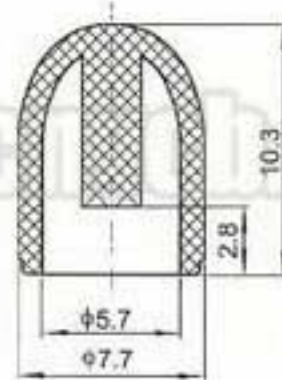
KM-008



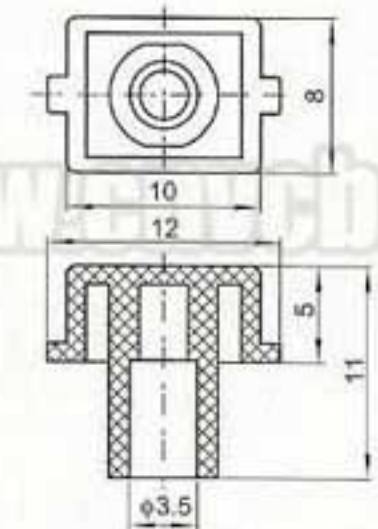
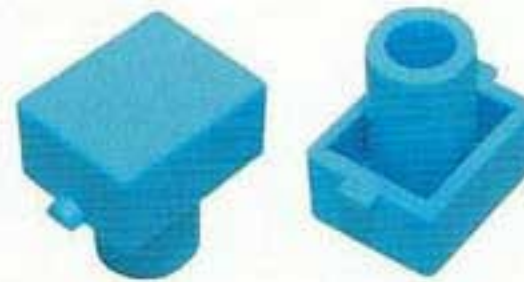
KM-003



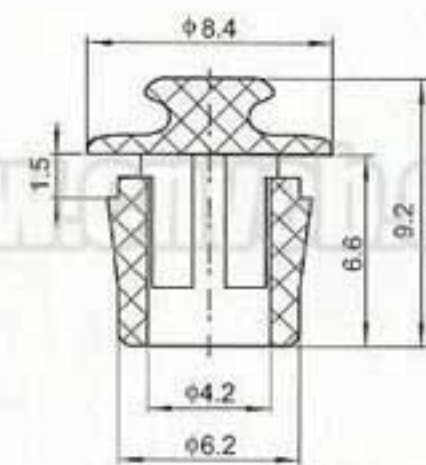
KM-009



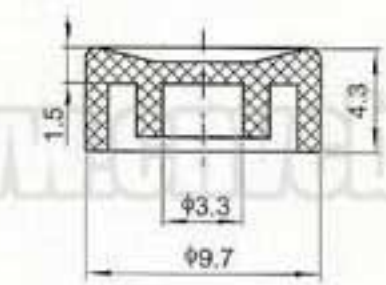
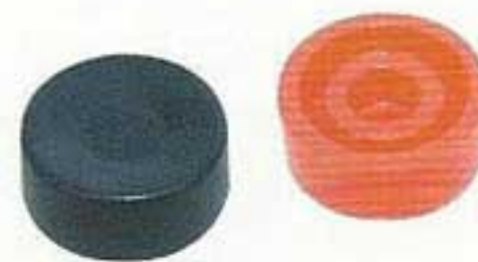
KM-004



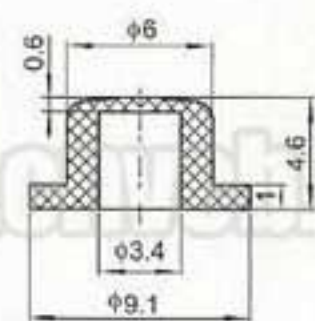
KM-010



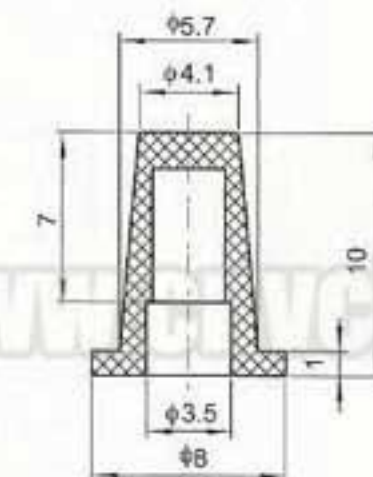
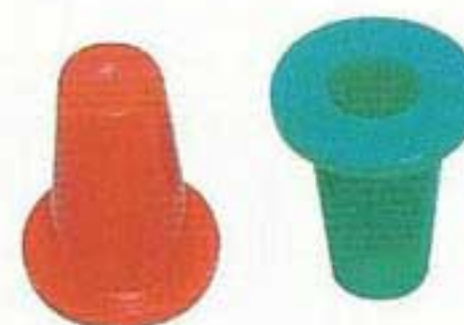
KM-005



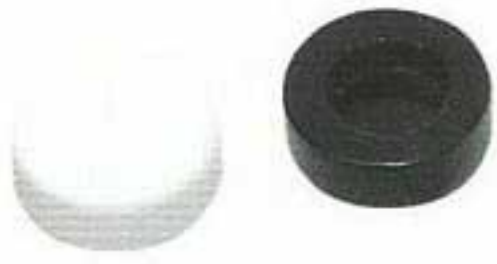
KM-011



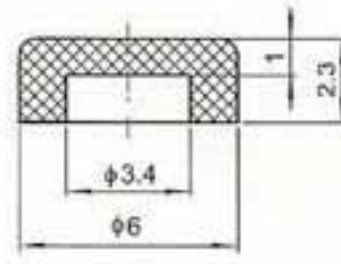
KM-006



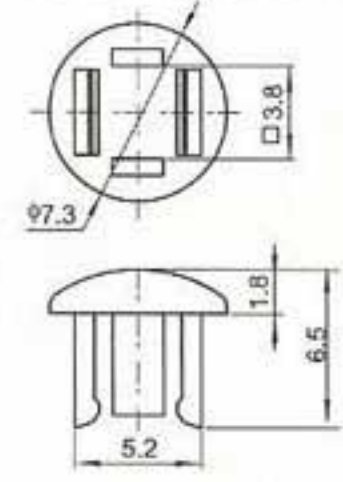
KM-012



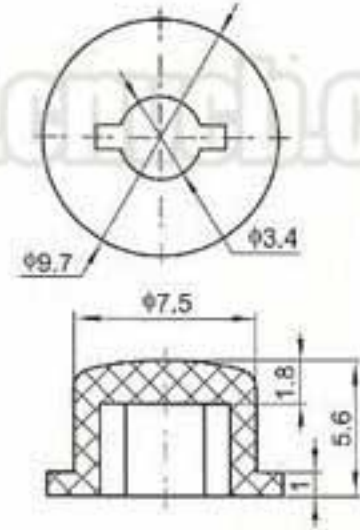
KM-013



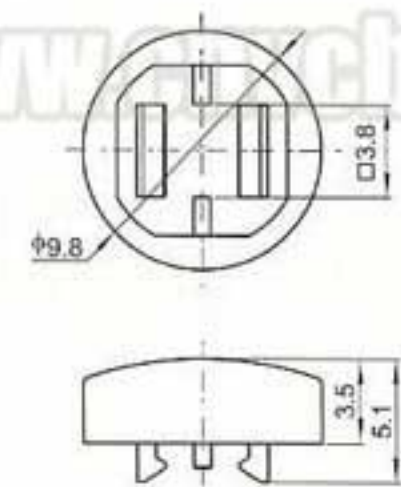
KM-019



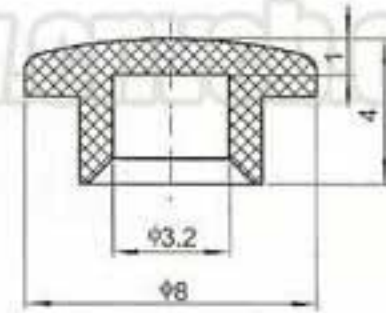
KM-014



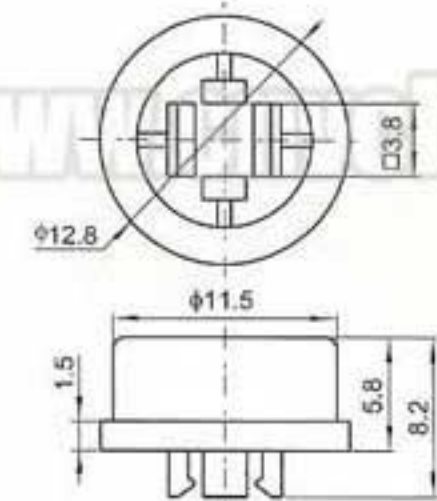
KM-020



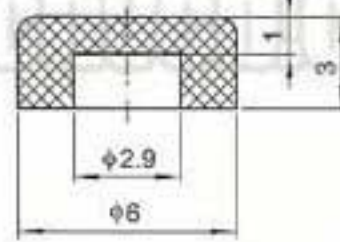
KM-015



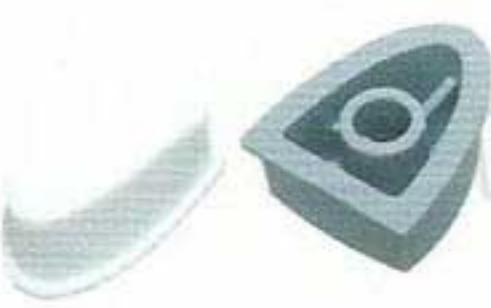
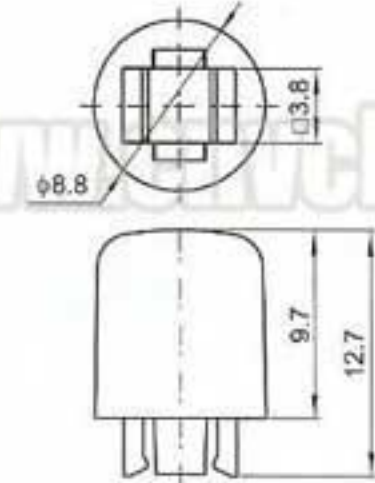
KM-021



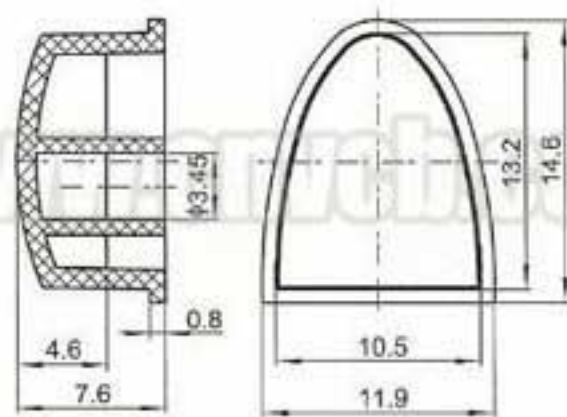
KM-016



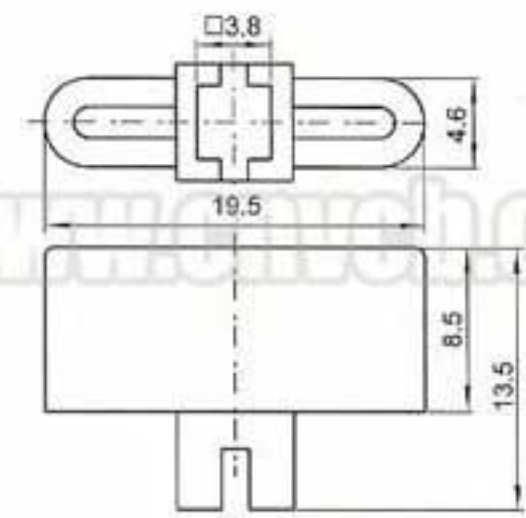
KM-022



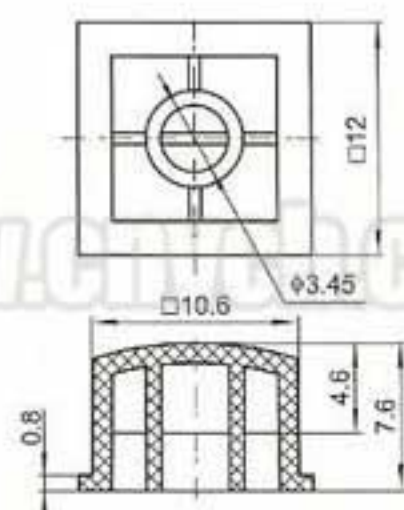
KM-017



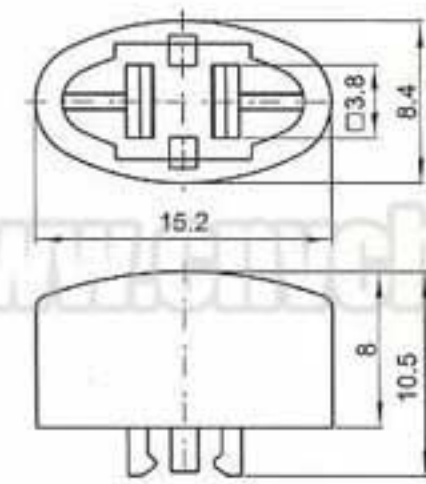
KM-023



KM-018



KM-024



KM-025

KM-031

KM-026

KM-032

KM-027

KM-033

KM-028

KM-034

KM-029

KM-035

KM-030

KM-036

KM-037

KM-043

KM-038

KM-044

KM-039

KM-045

KM-040

KM-046

KM-041

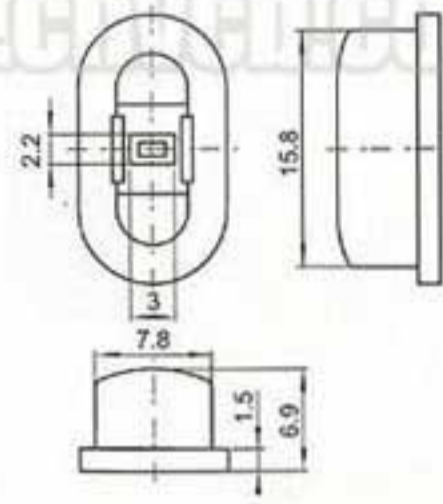
KM-047

KM-042

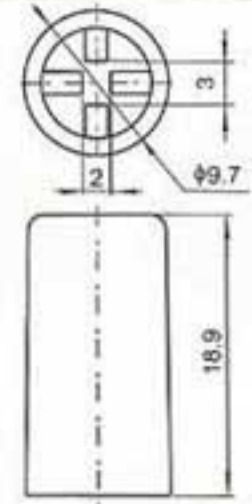
KM-048



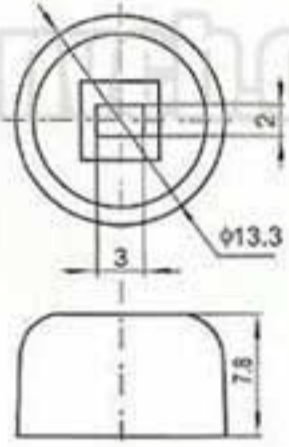
KM-049



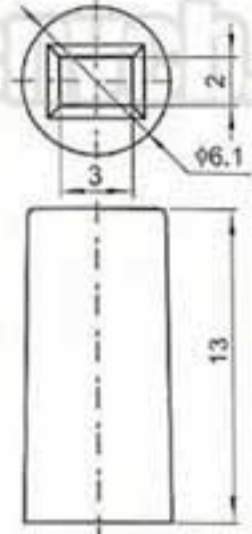
KM-055



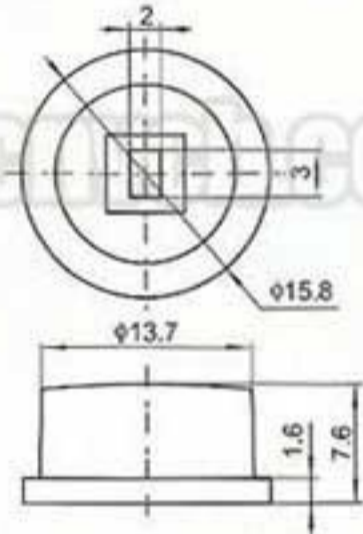
KM-050



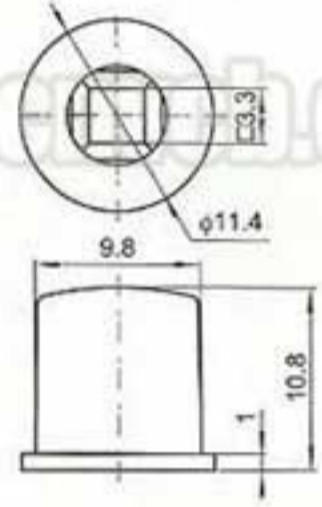
KM-056



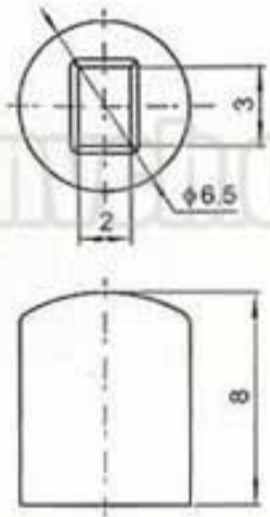
KM-051



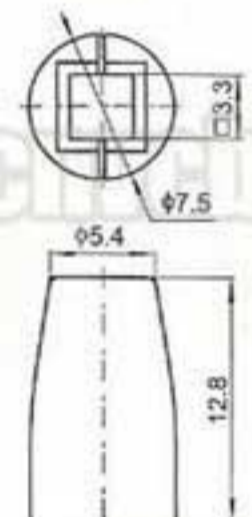
KM-057



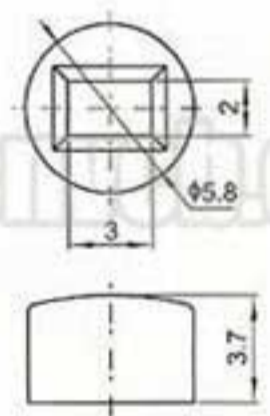
KM-052



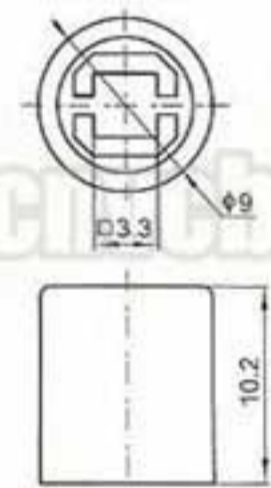
KM-058



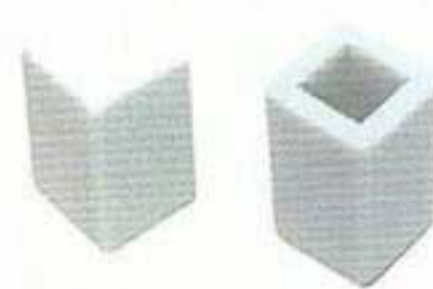
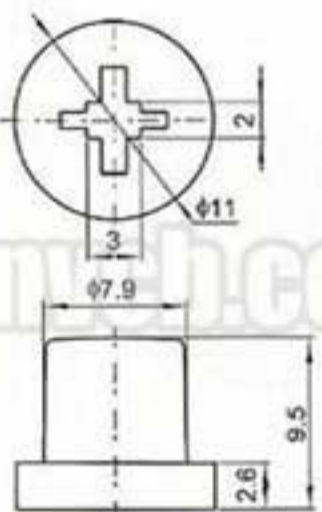
KM-053



KM-059



KM-054

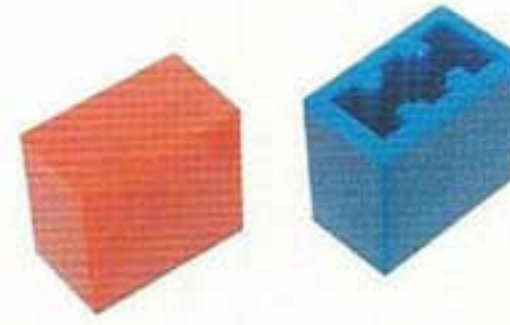
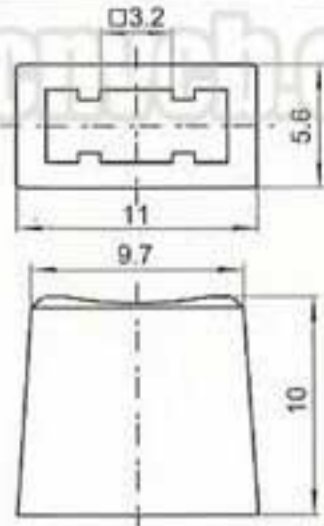


KM-060

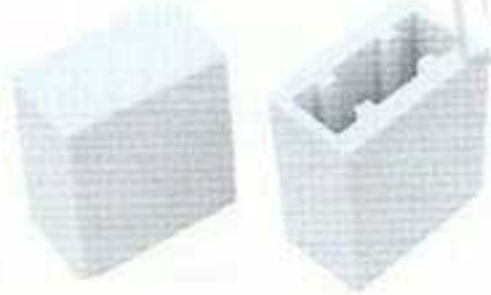
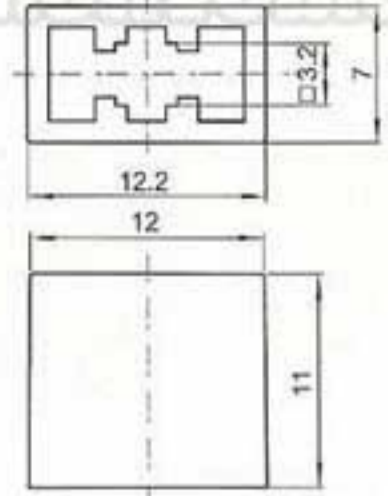




KM-061



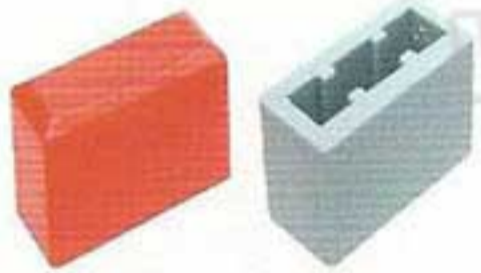
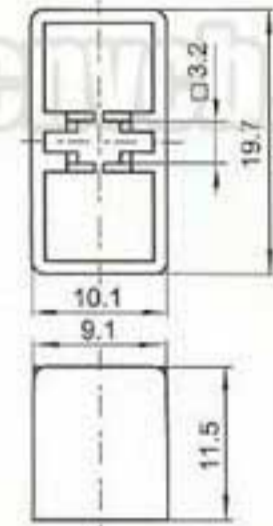
KM-067



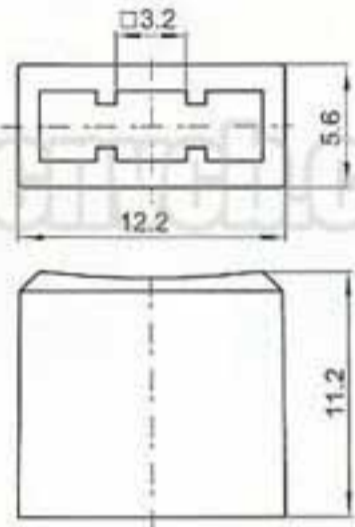
KM-062



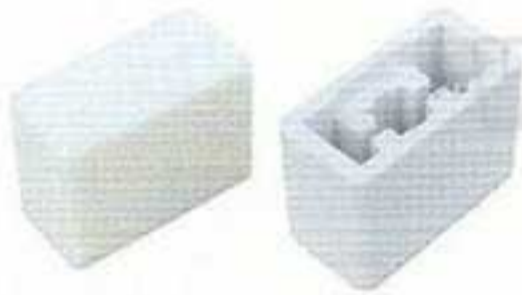
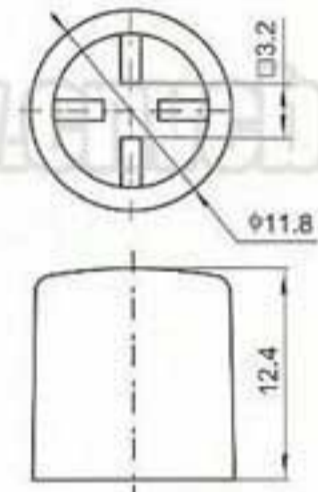
KM-068



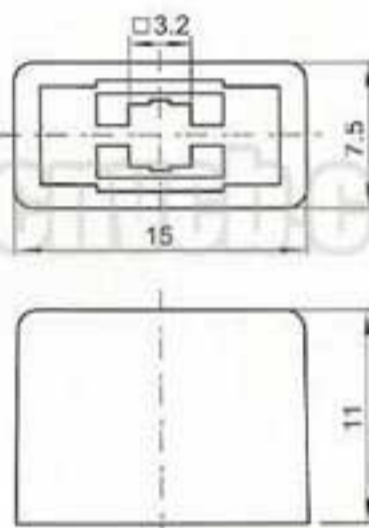
KM-063



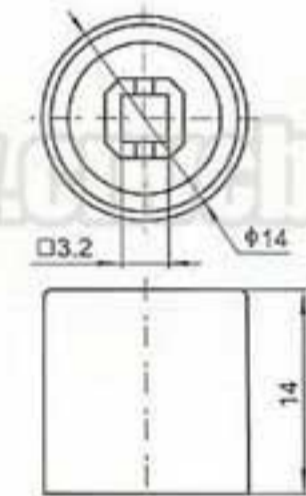
KM-069



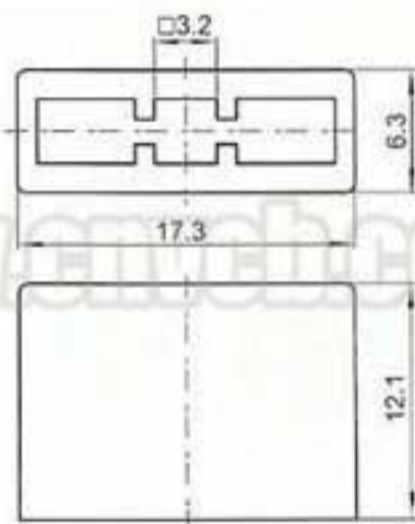
KM-064



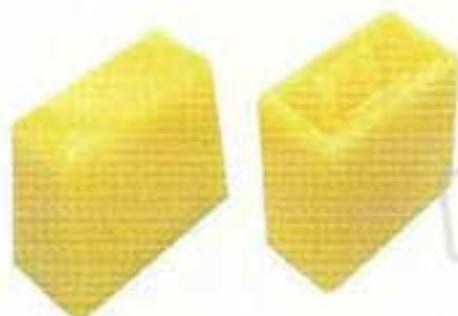
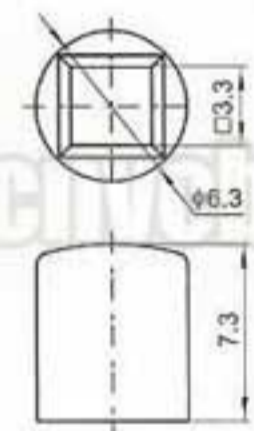
KM-070



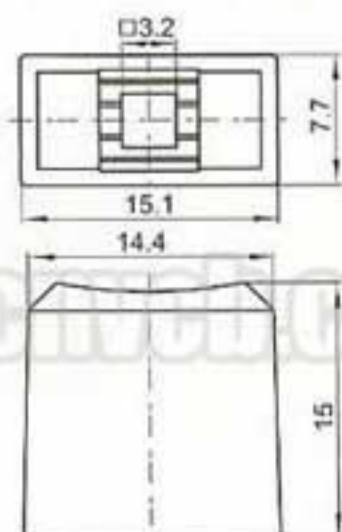
KM-065



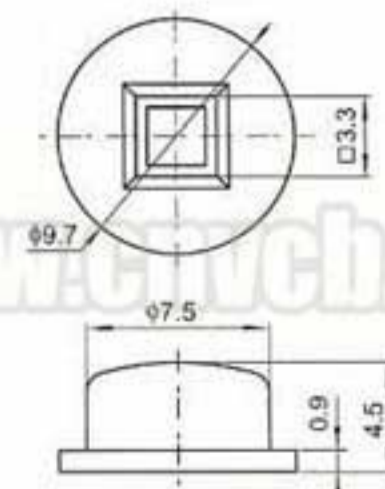
KM-071

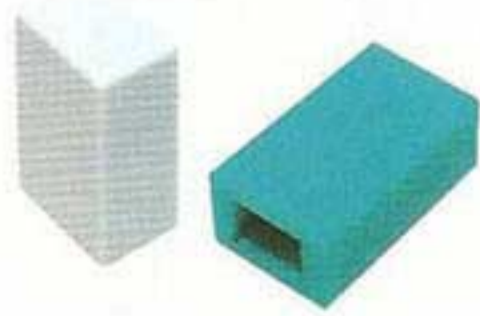


KM-066

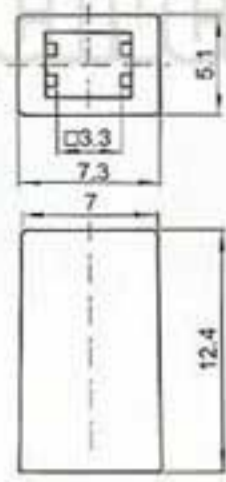


KM-072

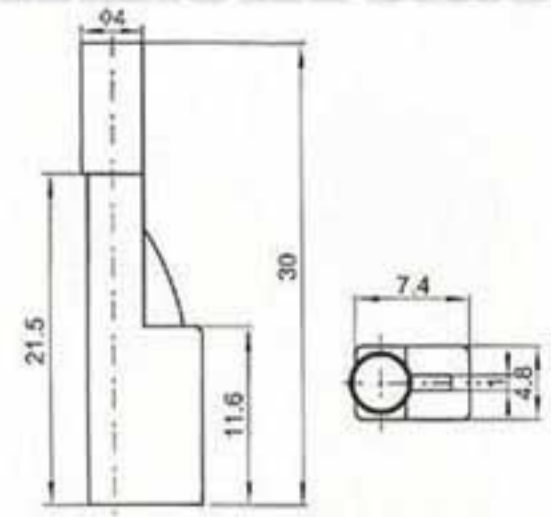




KM-073



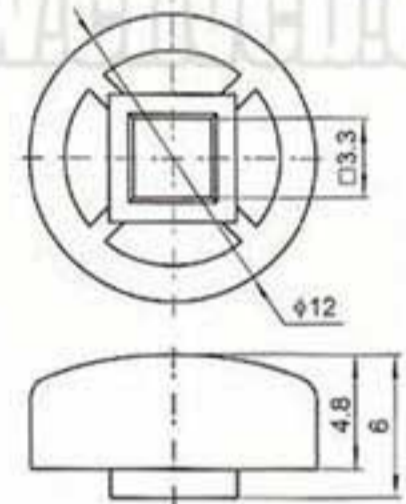
KM-079



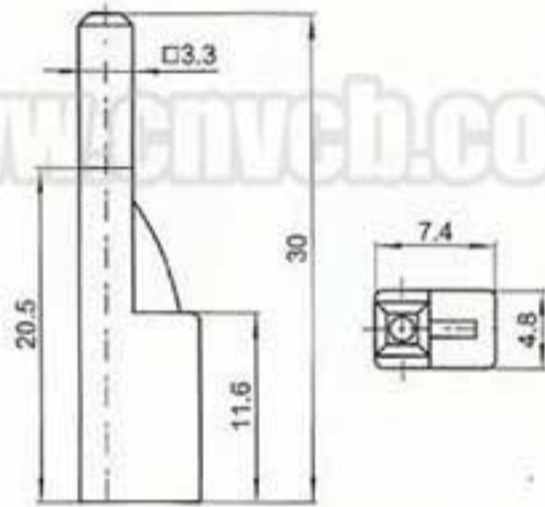
KM-074



KM-080



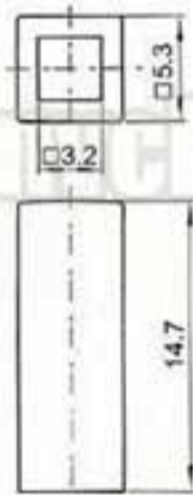
KM-075



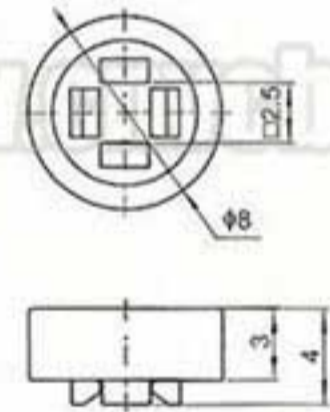
KM-081



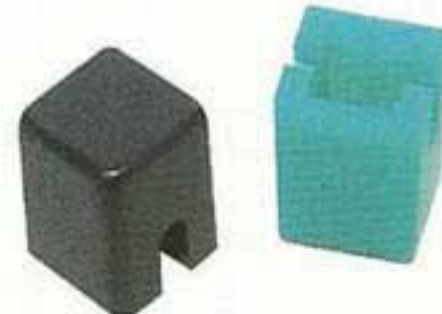
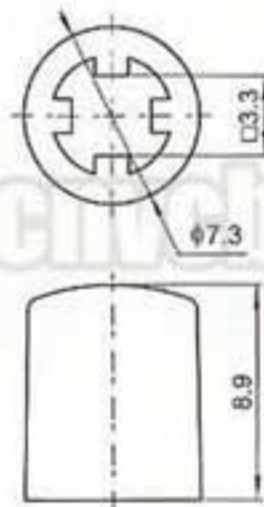
KM-076



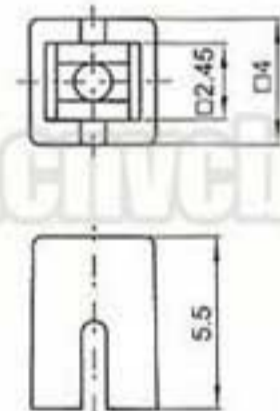
KM-082



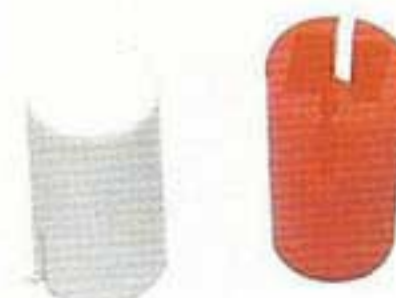
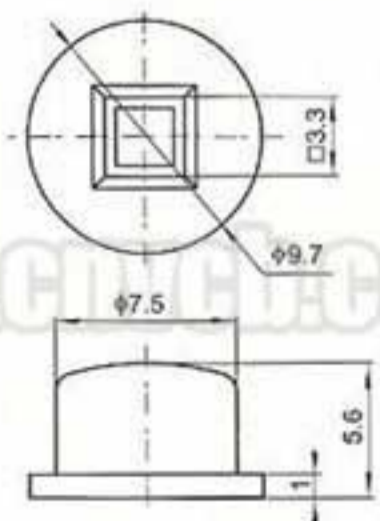
KM-077



KM-083

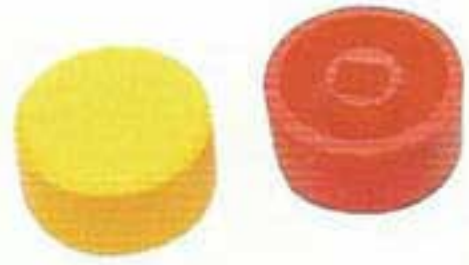


KM-078

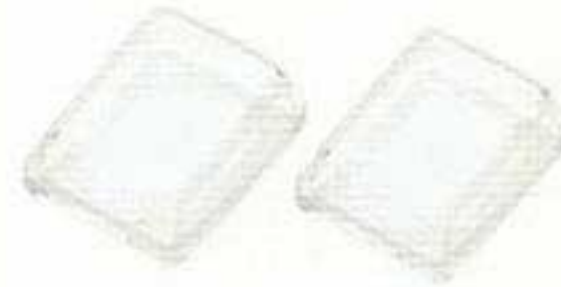
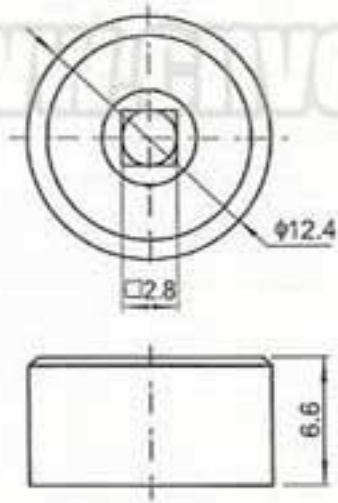


KM-084

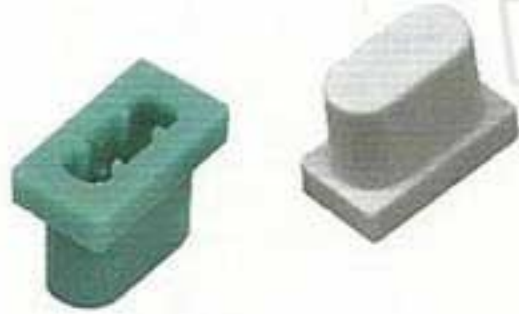
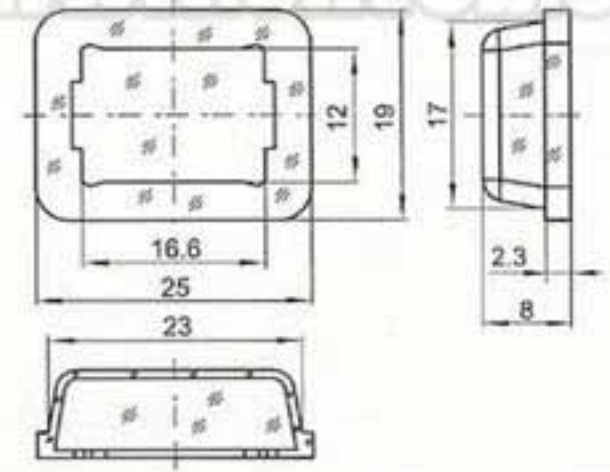




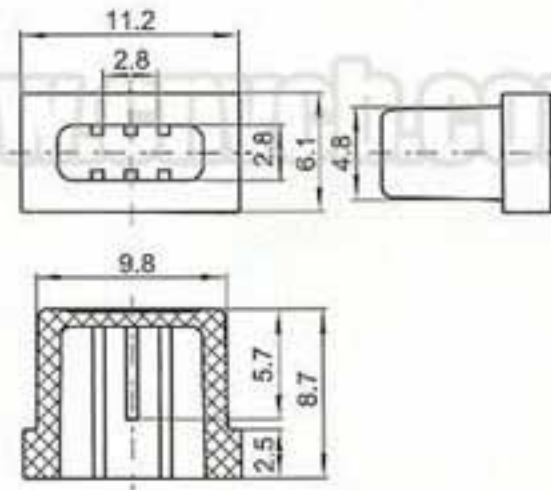
KM-085



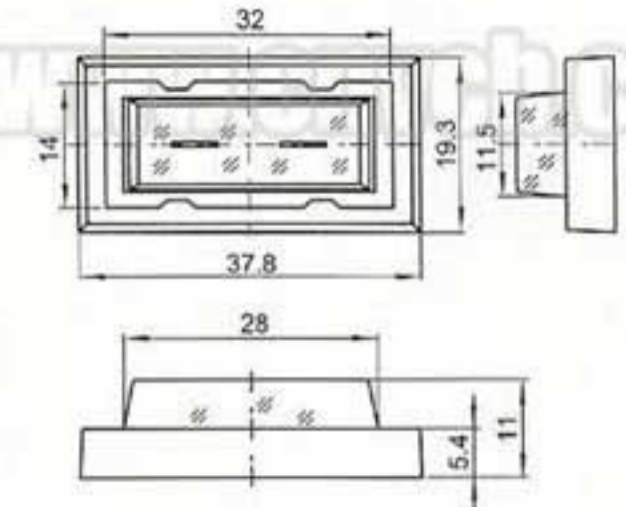
KM-091



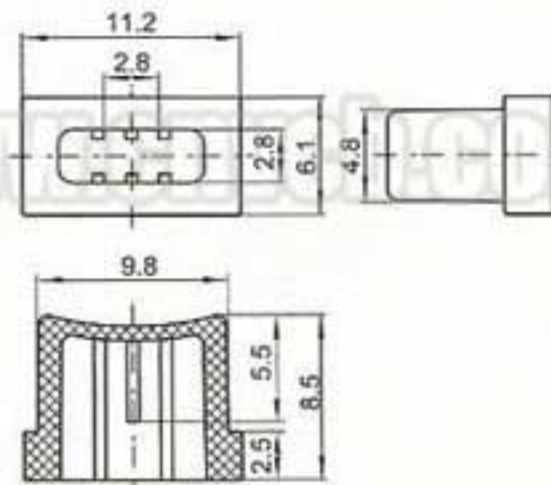
KM-086



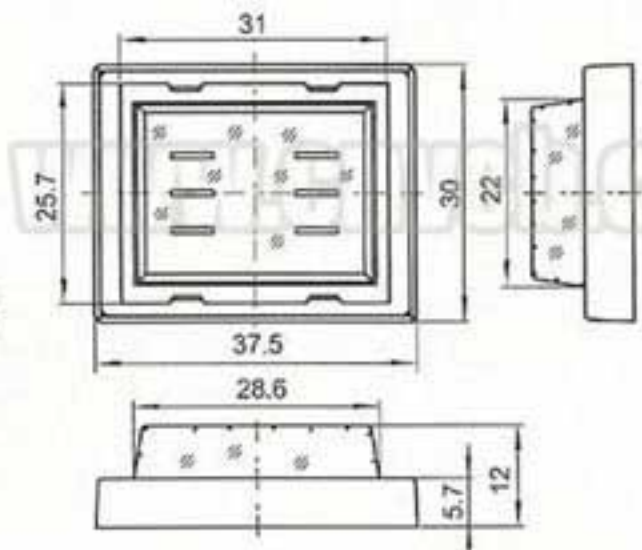
KM-092



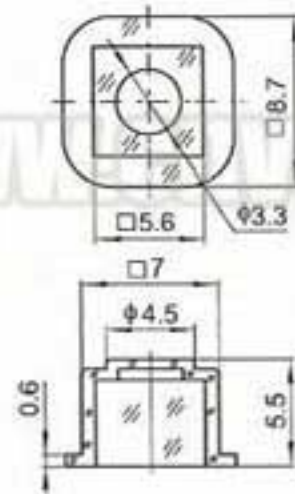
KM-087



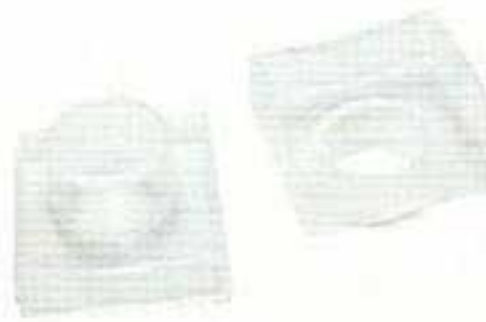
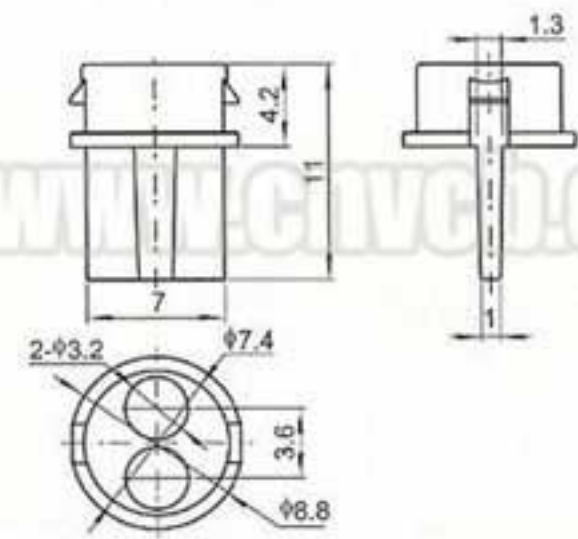
KM-093



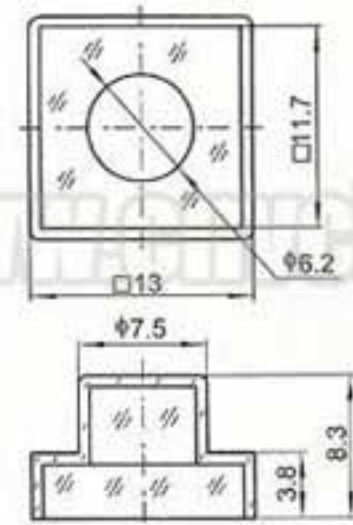
KM-088



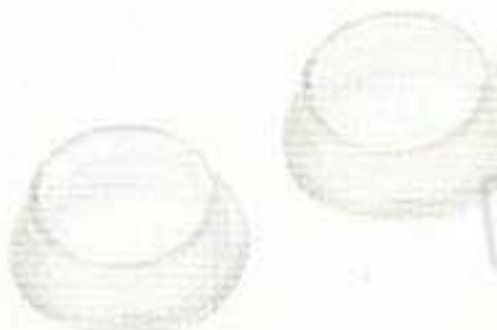
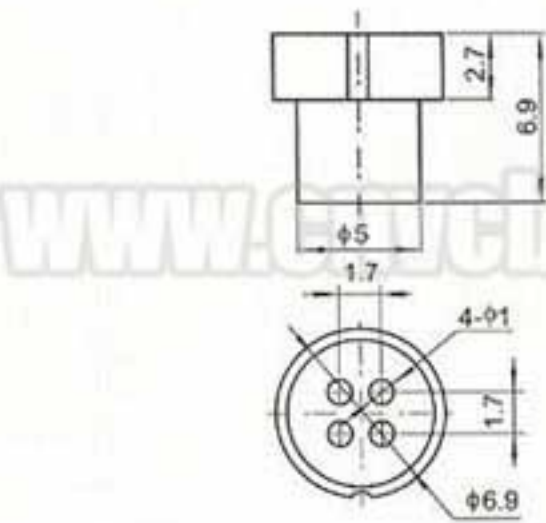
KM-094



KM-089



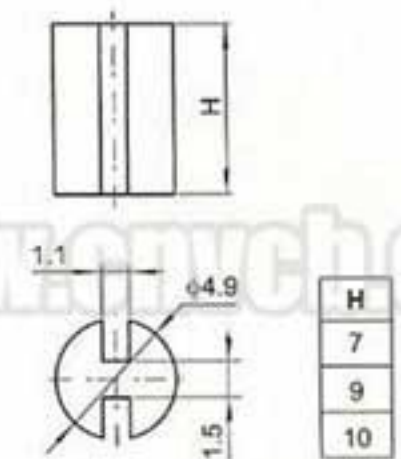
KM-095

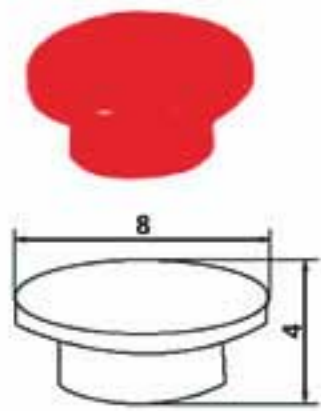


KM-090

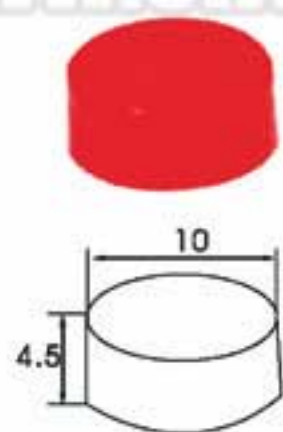


KM-096

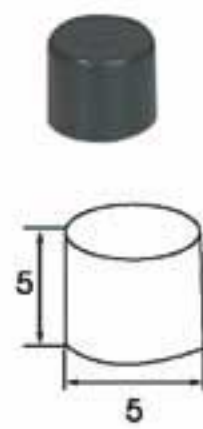




KM6X6-1



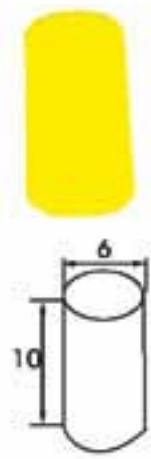
KM6X6-2



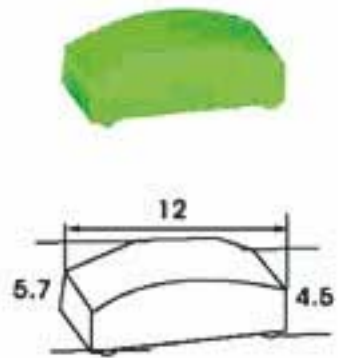
KM8.5X8.5-1



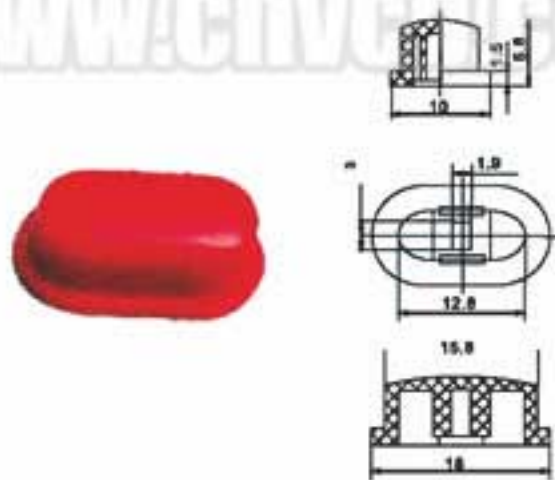
KM8.5X8.5-2



KM8.5X8.5-3



KM8.5X8.5-4



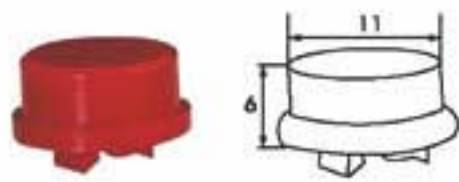
KM8.5X8.5-5



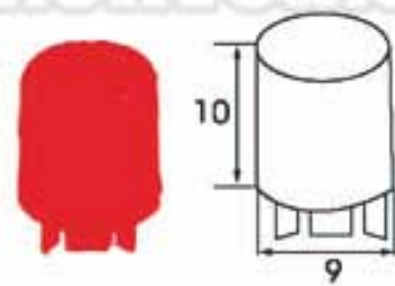
KM8.5X8.5-6



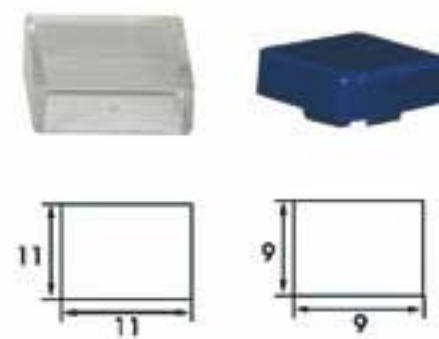
KM8.5X8.5-7



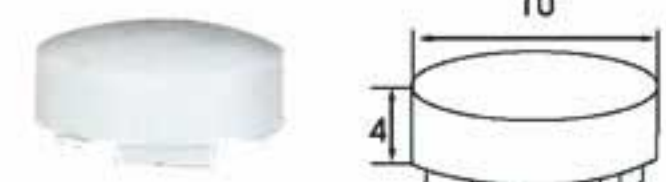
KM12X12-1



KM12X12-2



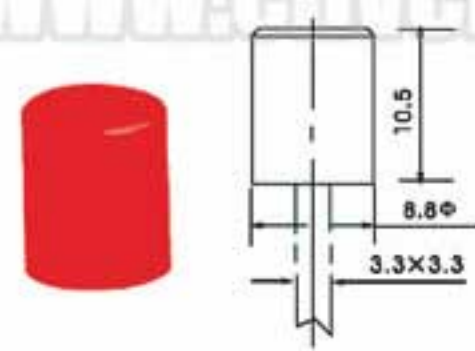
KM12X12-3



KM12X12-F



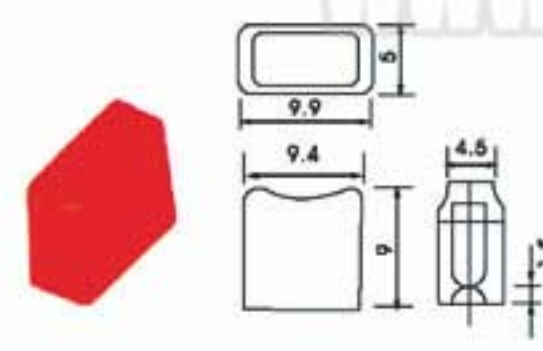
KM3.3X3.3-1



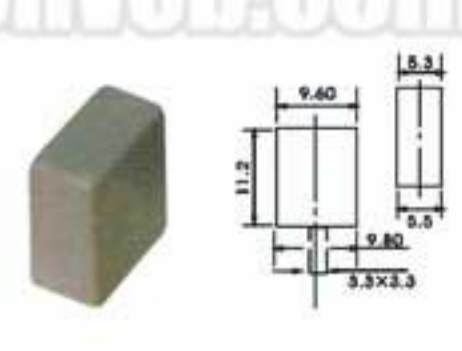
KM3.3X3.3-2



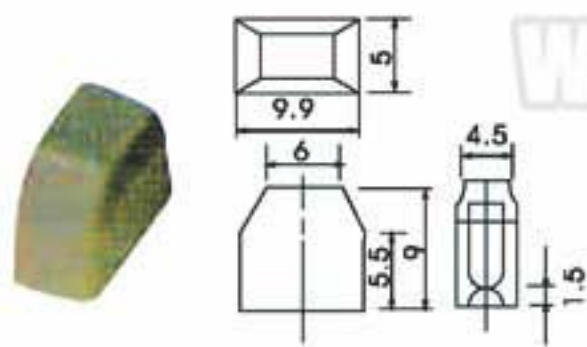
KM3.3X3.3-3



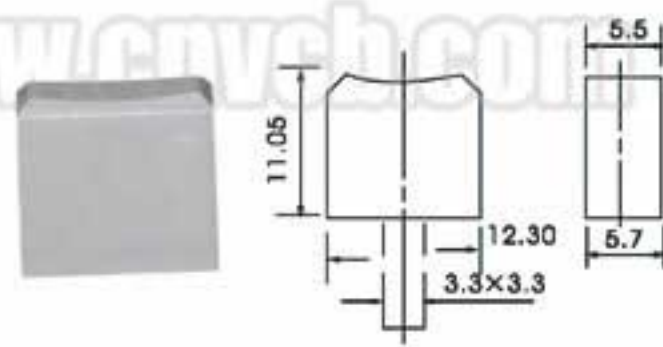
KM3.3X3.3-4



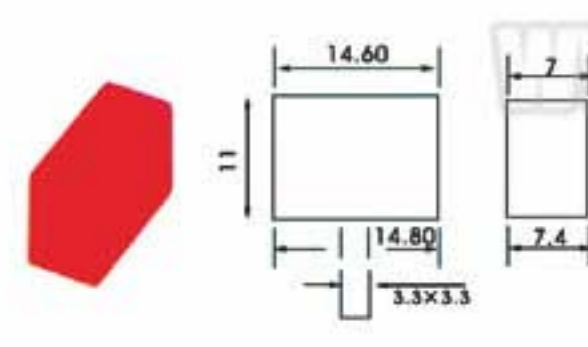
KM3.3X3.3-5



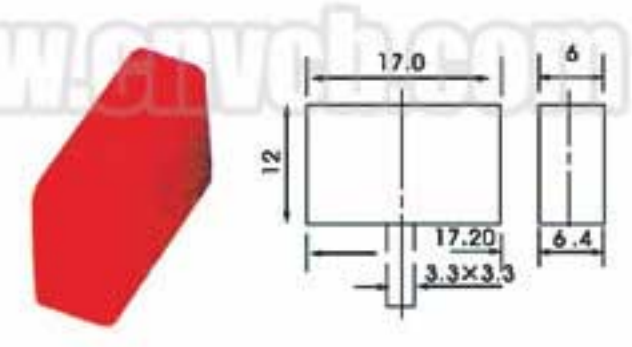
KM3.3X3.3-6



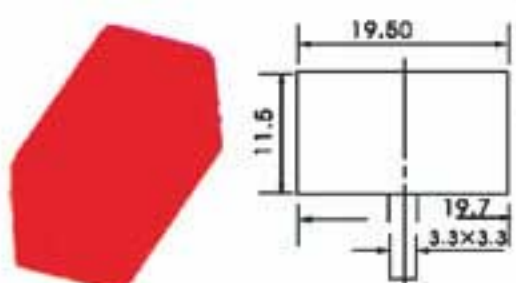
KM3.3X3.3-7



KM3.3X3.3-8



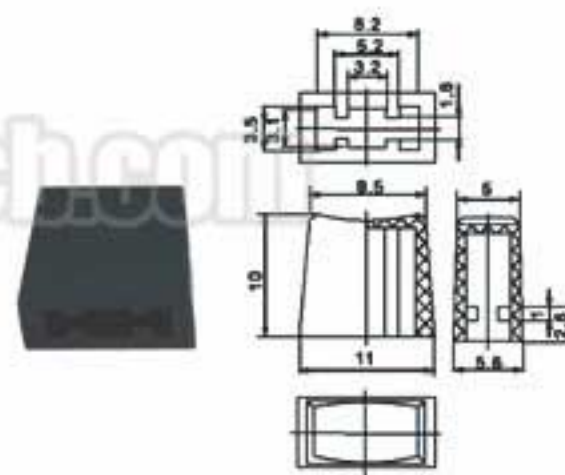
KM3.3X3.3-9



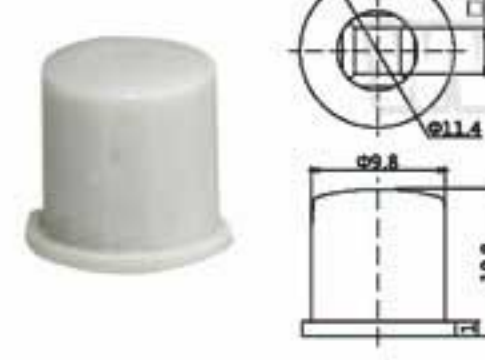
KM3.3X3.3-10



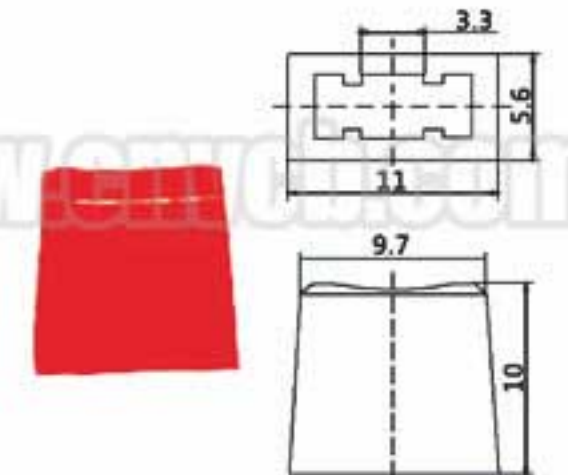
KM3.3X3.3-11



KM3.3X3.3-12



KM3.3X3.3-13



KM3.3X3.3-14



A-25



A-26



A-27



A-28



A-29



A-30



A-26



A-27



A-28



A-29



A-30



A-31



A-32